

PRODUCT FEM5700 SERIES
 HIGH QUALITY STANDARD ELECTRO MAGNETIC LOCKING DEVICES
 SINGLE/DOUBLE DOOR SURFACE MOUNT



FEM5700 SERIES

PRODUCT DESCRIPTION

The FEM5700 is an unmonitored single magnetic lock and the FEM5700D is an unmonitored double magnetic lock with dual 12 or 24 Volt settings.

The FEM5700M is a monitored single magnetic lock and the FEM5700DM is a monitored double magnetic lock with 12 or 24 Volt settings. Each monitored magnetic lock has a built-in Hall Effect Sensor for remote monitoring of Lock status (LSS).

The devices have a patented highly visible high luminosity Light Panel and Door Status Sensor (DSS) for remote monitoring of the door status through a reed switch contact as well as a Lock Status Sensor (LSS). The monitored devices come with a Patented Anti-Tamper-Security-Plate as standard to prevent hostile attacks on the dome-nut-fixing bolt of the Armature Plate." All FEM5700 Series Electro Magnetic Locks come with a lifetime warranty and have no residual magnetism.

TECHNICAL DETAILS

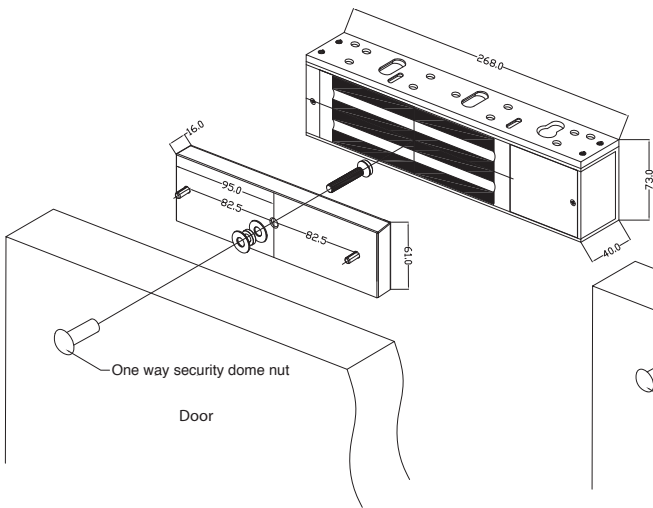
PART NO.	FEM5700 (single) FEM5700D (double)	FEM5700M (single) FEM5700DM (double)
HOLDING STRENGTH	Up to 580kg (for single magnetic lock)	
VOLTAGE/CURRENT	Dual Voltage 12/24VDC 12VDC=500mA (Double x2) 24VDC=260mA (Double x2)	
APPROVALS	4 hour fire rated to A.S. and B.S. standards	
MONITORING	NIL	LP LSS DSS
SIZE	Single door series magnet size: L= 268 x W= 73 x D= 40mm Single door series armature plate size: L= 190 x W= 61 x D= 16mm Single door series DSS-armature plate size: L= 252 x W= 61 x D= 16mm	Double door series surface magnet size: L= 535 x W= 73 x D= 40mm Double door series armature plate size: L= 190 x W= 61 x D= 16mm x 2 pcs Double door series DSS-armature plate size: L= 252 x W= 61 x D= 16mm x 2 pcs

PRODUCT FEATURES

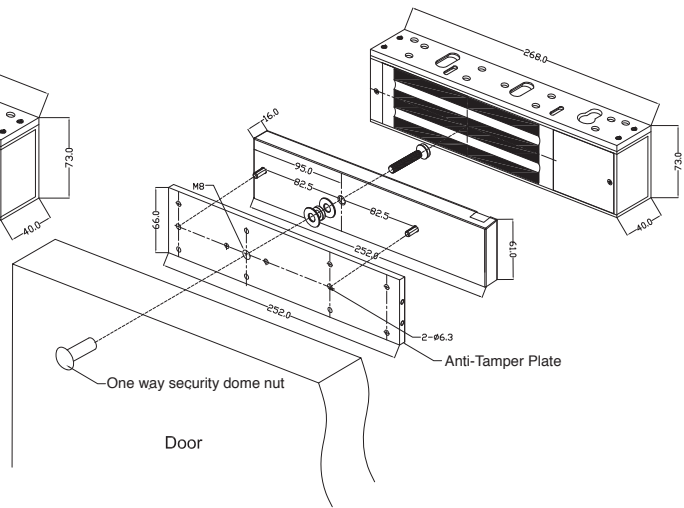
- Door and Lock Status Monitoring Sensor (DSS & LSS with "M" Models)
- Built-in varistor (MOV) surge protection
- CE/C-Tick
- Anti Tamper Plate (with "M" Models)
- Long distance Light Panel (LP)
- Lifetime warranty
- 4 hour fire tested
- No residual magnetism

PRODUCT DIMENSIONS AND INSTALLATION

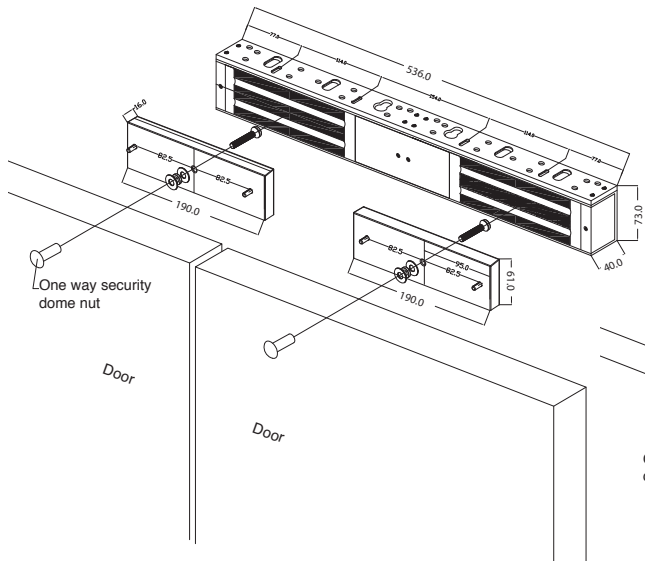
FEM5700



FEM5700M



FEM5700D



FEM5700DM

