



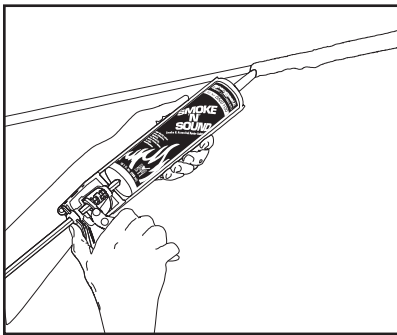
# SMOKE 'N' SOUND ACOUSTICAL SEALANT

## APPLICATIONS

**SMOKE CONTROL:** Where stopping the passage of smoke is necessary such as in smoke barrier walls.

**NOISE CONTROL:** Where reducing the transmission of sound through wall openings is necessary to help ensure occupant privacy and peaceful environment.

**INFECTIOUS/DUST CONTROL:** Where reducing the transmission of dust and other airborne particulates through wall openings is necessary.



## PRODUCT DESCRIPTION

SpecSeal® Smoke 'N' Sound Sealant is a high quality acrylic latex sealant designed for sealing through-penetrations (such as pipes, conduits, cabling, busways, openings), membrane penetrations (such as p-traps and outlet boxes) in smoke rated walls. SpecSeal Smoke 'N' Sound may also be used in linear applications such as wall-to-wall and head-of-wall joints where joints are designed to be either static or minimally dynamic.

SpecSeal® Smoke 'N' Sound Sealant is available in a single grade that has excellent caulking properties as well as high build properties on vertical or overhead surfaces. This single grade may be caulked (standard cartridge or bulk loaded), knifed or troweled. In addition, SpecSeal Smoke 'N' Sound contains no PCB's nor asbestos.

SpecSeal® Smoke 'N' Sound Sealant is storage stable (when stored according to the manufacturer's recommendations), is asbestos free and will not separate nor excessively shrink when dried. Smoke 'N' Sound will adhere to all common construction and penetrant materials and contains no solvents that might adversely affect plastic pipes or cable jackets.

FEATURE	BENEFIT
• <b>Economical</b>	High performance without the high price!
• <b>Safe</b>	Safe for contact with plastics.
• <b>Water Resistant</b>	Will not re-emulsify when dry.
• <b>Water-Based</b>	Easy installation, cleanup, and disposal.
• <b>Remains Flexible</b>	Allows movement.
• <b>Acoustically Tested</b>	Reduces noise transmission.
• <b>Low VOCs</b>	Safe, No solvents, Non-Halogenated
• <b>Paintable</b>	

## PERFORMANCE

SpecSeal® Smoke 'N' Sound Sealant has superb color stability and resistance to ultraviolet rays, ozone, and airborne contaminants. It is also mildew resistant and meets Class A finish requirements for Flame Spread and Smoke Development when tested in accordance with ASTM E84. SpecSeal® Smoke 'N' Sound Sealant provides less than one cfm air leakage when tested in accordance with UL1479 and UL2079 and is also acoustically tested and classified, demonstrating excellent sound attenuation properties.

## PHYSICAL PROPERTIES

PROPERTIES	SMOKE 'N' SOUND SEALANT
<b>Product Name:</b>	Smoke 'N' Sound Sealant
<b>Acoustical:</b>	Tested to ASTM E90, Meets ASTM C919
<b>Leakage:</b>	≤1 CFM per UL1479
<b>Color :</b>	White or Safety Yellow
<b>Odor:</b>	Mild Latex
<b>Specific Gravity:</b>	1.56
<b>Solids Content by Weight:</b>	83%
<b>Solids Content by Volume:</b>	71%
<b>pH:</b>	7.0 – 7.5

PROPERTIES (cont.)	SMOKE 'N' SOUND SEALANT
<b>VOC:</b> (ASTM D3960 OR EPA Method 24)	20 g/L (.17 lb./gal)
<b>ASTM C834:</b>	Complies
<b>ASTM D217:</b>	260 77°F
<b>In-Service Temp.:</b>	Less than 185°F (85°C)
<b>Storage Temp.:</b>	40°F (4°C) - 95°F (35°C)
<b>Flame Spread:</b>	5
<b>Smoke Development:</b>	0
<b>STC Rating:</b>	62
<b>Shelf Life:</b>	2 Years

## SPECIFICATIONS

The smoke sealing caulk shall be a water based, high quality latex sealant and shall dry to a water resistant and flexible smoke barrier when dry. The sealant shall be tested for smoke sealing, noise abatement (acoustical) properties and shall meet Class A finish requirements when tested in accordance with ASTM E84 (UL723).

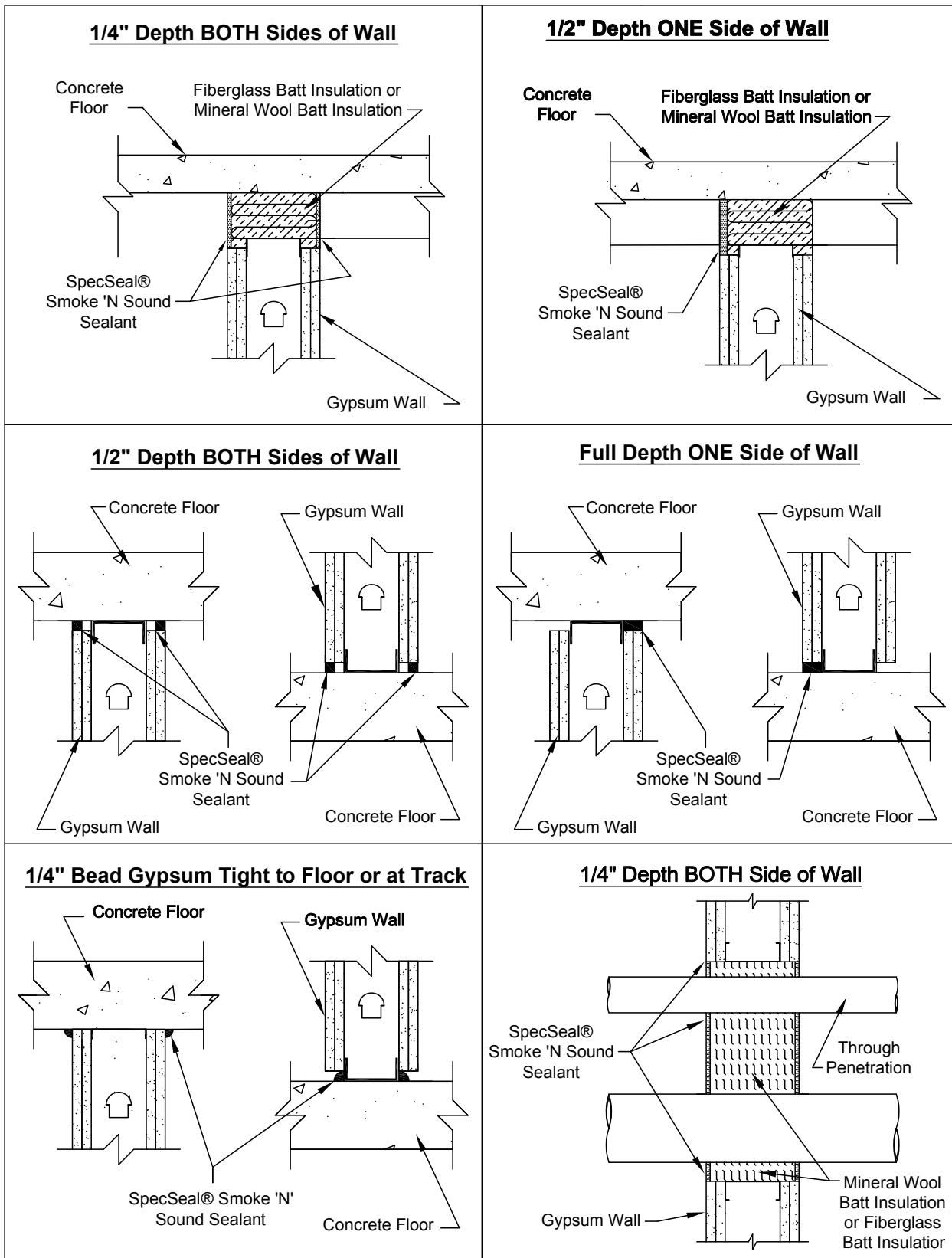
### SPECIFIED DIVISIONS

- DIV. 7 — 07 90 00 — Joint Protection
- DIV. 9 — 09 20 00 — Plaster and Gypsum Board
- DIV. 22 — 09 20 00 — Plumbing
- DIV. 26 — 26 00 00 — Electrical



# INSTALLATION INSTRUCTIONS

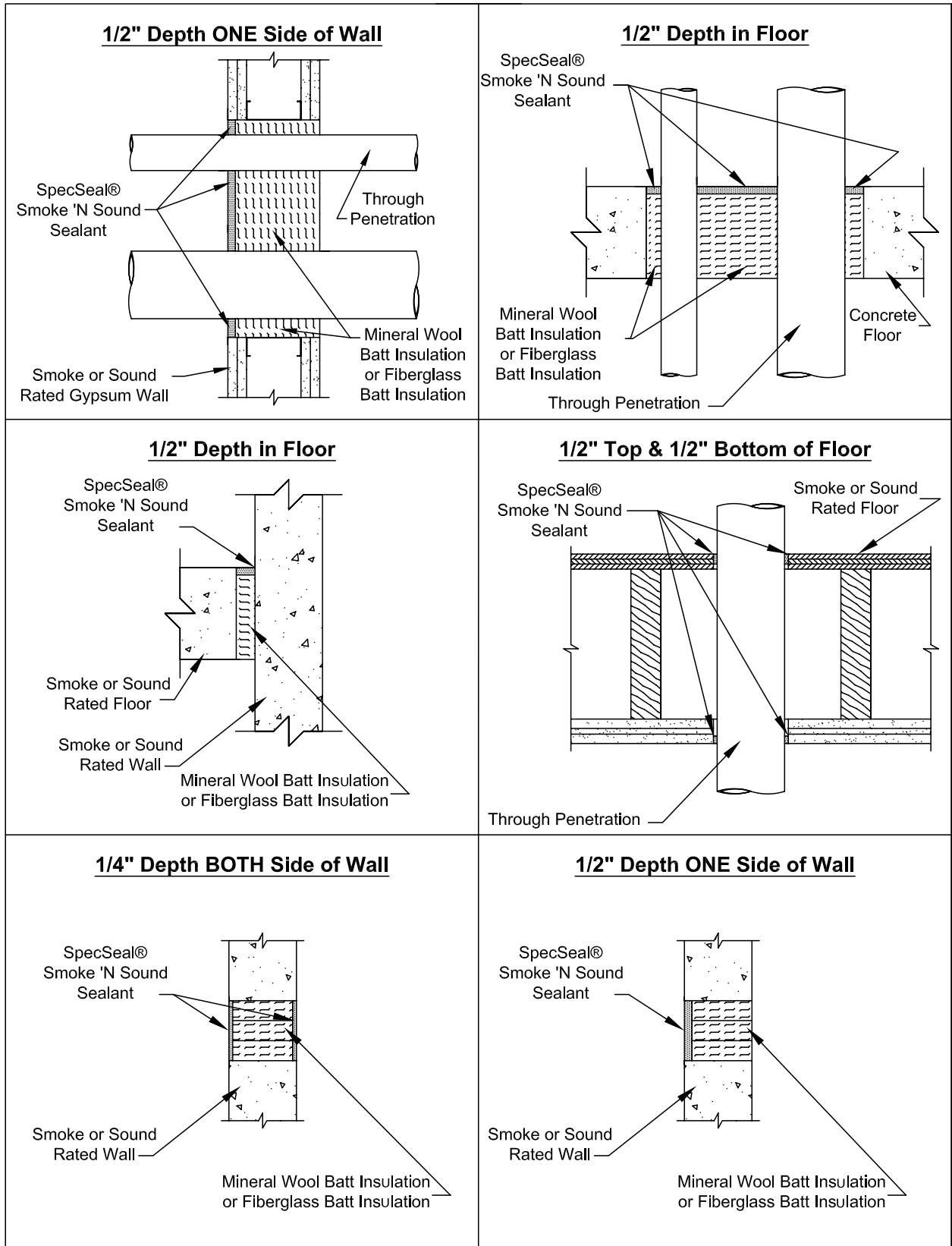
GENERAL: Areas to be protected must be clean and free of oil, loose dirt, rust or scale. Installation temperatures must be between 35° F (2°C) and 100° F (38°C). Allow product to dry a minimum of 24 hours before exposure to moisture. SpecSeal® Smoke 'N' Sound may be installed by caulking using a standard caulking gun or from bulk containers using a bulk loading caulk gun, or by manually troweling using a mason's trowel or putty knife. If the sealant tends to pull back from a surface, clean the surface with a damp rag or sponge and reapply. Work sealant into all areas exercising care to eliminate voids or seams. Adding water to the sealant is not recommended.



# INSTALLATION INSTRUCTIONS - (CONTINUED)

**SEALING JOINTS & LINEAR GAPS:** The width of the joint should be approximately 12 times the anticipated movement and should fall within the range of 1/4" (6 mm) to 3/4" (19 mm).

**JOINT BACKING:** Joints may be filled with either polyethylene or polyurethane backer rod, preferably of a non-gassing, non-absorbing type, recessed from surface to accommodate depth of sealant. Use a diameter that will compress about 25% when installed. In joints too shallow to take backer rod, use a bond breaker tape to prevent three-sided adhesion.



SEALANT REQUIREMENTS IN CUBIC INCHES PER 1/4 INCH OF INSTALLED DEPTH*													
Pipe Size		Diameter of Opening (in.)											
		1.5	2.0	3.0	4.0	5.0	6.0	7.0	8.0	10	12	14	26
Trade Size	Pipe O.D.												
0.5"	0.840	0.3	0.6	1.6	3.0	4.8	6.9	9.5	12.4	19.5	28.1	38.3	132.6
1"	1.315	0.1	0.4	1.4	2.8	4.6	6.7	9.3	12.2	19.3	27.9	38.1	132.4
1.5"	1.900			1.1	2.4	4.2	6.4	8.9	11.9	18.9	27.6	37.8	132.0
2"	2.375			0.7	2.0	3.8	6.0	8.5	11.5	18.5	27.2	37.4	131.6
2.5"	2.875			0.1	1.5	3.3	5.4	8.0	10.9	18.0	26.7	36.9	131.1
3"	3.500				0.7	2.5	4.7	7.2	10.2	17.2	25.9	36.1	130.3
3.5"	4.000					1.8	3.9	6.5	9.4	16.5	25.1	35.3	129.6
4"	4.500					0.8	3.0	5.6	8.5	15.6	24.2	34.4	128.7
6"	6.625	*Different Sealant Depth?						1.1	4.0	11.1	19.7	29.9	124.2
8"	8.625	1/2"	Multiply by 2							4.9	13.6	23.8	118.0
		5/8"	Multiply by 2.5										
10"	10.750	1"	Multiply by 4								5.6	15.8	110.0
12"	12.750	1-1/4"	Multiply by 5									6.6	100.8
24"	24.000												19.6

IMPORTANT NOTE: This table is for estimation purposes only. Consult UL Fire Resistance Directory or STI Product & Application Guide for specific installation requirements and limitations  
Metric Estimation Table available upon request.

## MAINTENANCE

No maintenance is normally required, however a periodic inspection of rated barriers is recommended to make sure that any new openings, modifications of previously installed seals, or areas exhibiting physical damage, have been properly sealed or repaired. Subsequent sealing or repairs should be accomplished using SpecSeal® Smoke 'N' Sound Sealant.

RETROFIT: When adding or removing penetrants, care should be taken to minimize damage to the seal. Reseal using SpecSeal® Smoke 'N' Sound.

## TECHNICAL SERVICE

Specified Technologies Inc. provides toll free technical support to assist in product selection and installation information. UL Classified Systems are available at the Technical Library at [www.stifirestop.com](http://www.stifirestop.com).

## PRECAUTIONARY INFORMATION

SpecSeal® Smoke 'N' Sound Sealant is non-flammable, non-toxic, non-irritating and environmentally safe. However, do not take internally. Refer to Material Safety Data Sheet for additional information. Wash areas of skin contact with soap and water. Avoid contact with eyes. SEALANT IS CONDUCTIVE UNTIL DRY.

LIMITATIONS: SpecSeal® Smoke 'N' Sound Sealant is water-based and cures through the evaporation of water. Low temperatures as well as high humidity may retard drying. Non-porous or impermeable backing materials, plates, or coatings may retard the drying process. This product is recommended for use in sealing non-rated smoke barriers only and is not intended for use in fire-rated barriers. Consult the local Authority Having Jurisdiction for local code requirements regarding smoke rated barriers prior to installing this product. Consult Specified Technologies Inc. for recommendations concerning sealing applications in fire rated walls or floors.

## AVAILABILITY

SpecSeal® Smoke 'N' Sound Sealant is available from authorized distributors. Consult factory for the names and locations of the nearest sales representatives or distributors.

Part #	Description	Packaging	Size	Color
SNS105	Smoke & Acoustical Sealant	Pail	5 gal.(1,155 cu. in, 19 L)	White
SNS105W	Smoke & Acoustical Sealant	Pail	5 gal. (1,155 cu. in, 19 L)	White
SNS120W	Smoke & Acoustical Sealant	Sausage	20 oz. (36 cu. in. 592 ml)	White
SNS129W	Smoke & Acoustical Sealant	Tube	29 oz. (52 cu. in. 858 ml)	White
SNS134W	Smoke & Acoustical Sealant	Sausage	34 oz. (61 cu. in. 1005 ml)	White

IMPORTANT NOTICE: All statements, technical information, and recommendations contained herein are based upon testing believed to be reliable, but the accuracy and completeness thereof is not guaranteed.

LIMITED WARRANTY: STI warrants that its products will be free of defects for one year from the date of purchase. In the event a product does not conform to this warranty, the sole and exclusive remedy is, at STI's option, replacement of the product or refund of the purchase price. The warranty provided herein shall be void and of no effect in the event that the product is not installed in accordance with STI's published instructions, listed systems and applicable building and safety codes. THIS WARRANTY IS IN LIEU OF ALL OTHER REPRESENTATIONS AND EXPRESSED OR IMPLIED WARRANTIES (including the implied warranties of merchantability or fitness for a particular use) AND UNDER NO CIRCUMSTANCES SHALL STI BE LIABLE FOR ANY DIRECT, INDIRECT, SPECIAL, INCIDENTAL OR CONSEQUENTIAL DAMAGES OR LOSSES, INCLUDING, WITHOUT LIMITATION, ANY LOSS OF REVENUE, PROFIT OR USE. Prior to use, the user shall determine the suitability of the product for its intended use, and the user assumes all risks and liability for subsequent use. No person other than an officer of STI is authorized to bind STI to any other warranty for any product for which this warranty is issued.

MADE IN THE USA – COPYRIGHT © 2014 SPECIFIED TECHNOLOGIES INC.



210 Evans Way, Somerville, NJ 08876 USA • Phone: 800.992.1180 • Fax: 908.526.9623

